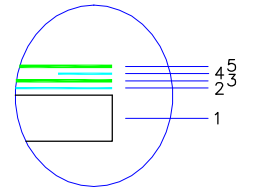
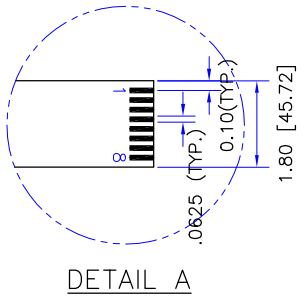


REVISIONS				
LOC	LTR	DESCRIPTION	DATE	APPROVED
	B	PINOUTS CHANGES	05/11/05	A. GOHARI

PINOUTS	
PIN	ASSIGNED
1	LEFT EXCITE
2	LEFT SENSE
3	TOP EXCITE
4	TOP SENSE
5	BOTTOM SENSE
6	BOTTOM EXCITE
7	RIGHT SENSE
8	RIGHT EXCITE



**TOUCH SCREEN CROSS SECTION**

1. SUPPORT: 0.070 THK. STRENGTHENED GLASS
2. ADHESIVE: 0.004 ACRYLIC
3. STATIC ELEMENT: 0.007 POLYESTER
4. PERIPHERAL ADHESIVE: 0.004 ACRYLIC
5. DYNAMIC ELEMENT: 0.007 POLYESTER W/ AR/AG

- ⑤ CONNECTORS: BERG CLINCHER (65801-008) OR EQUIV. ADD 0.300 TO LENGTH OF TAIL
  - ④ TRANSPARENT AREA: 12.13 [308.00] X 16.14 [410.00]
  - ③ ACTIVE AREA: 11.93 [302.92] X 15.94 [404.92]
  - ② ACTUATION FORCE: 20-40 GRAMS
  - ① ITO RESISTIVITY: 200 / 300 OHMS / SQ.
- NOTES: (UNLESS OTHERWISE SPECIFIED)

THIS DRAWING AND THE DESIGN SHOWN HEREBY IS THE PROPERTY OF **CyberTouch**. ITS DISCLOSURE AND DISTRIBUTION IS FOR A LIMITED PURPOSE ONLY. ANY USE BEYOND SUCH LIMITATION IS NOT AUTHORIZED. NO REPRODUCTION THEREOF IS LICENSED, BEYOND THE LIMITED PURPOSE FOR WHICH THE DRAWING IS SUPPLIED. THIS DRAWING AND ALL CONTENTS THEREOF SHALL REMAIN THE PROPERTY OF **CyberTouch** AND MUST BE RETURNED TO **CyberTouch** ON REQUEST.

APPROVALS			TOLERANCES UNLESS OTHERWISE SPECIFIED		
DATE	REV.	INITIALS	.X	.XX	.XXX
		ENL.	±.15	±.010	±.005
		ADL.			
		MAN.	APPROVALS	DATE	
		DESIGN	A. GOHARI	020905	
		DRAWN	N. FRANCISCO	020905	
CUSTOMER APPROVAL					



TITLE		SCALE	PART NO.
21" 8-WIRE ANALOG FLAT TOUCH SCREEN		1:0.25	8721W-B0-K0-0B
SHEET 1 OF 1			