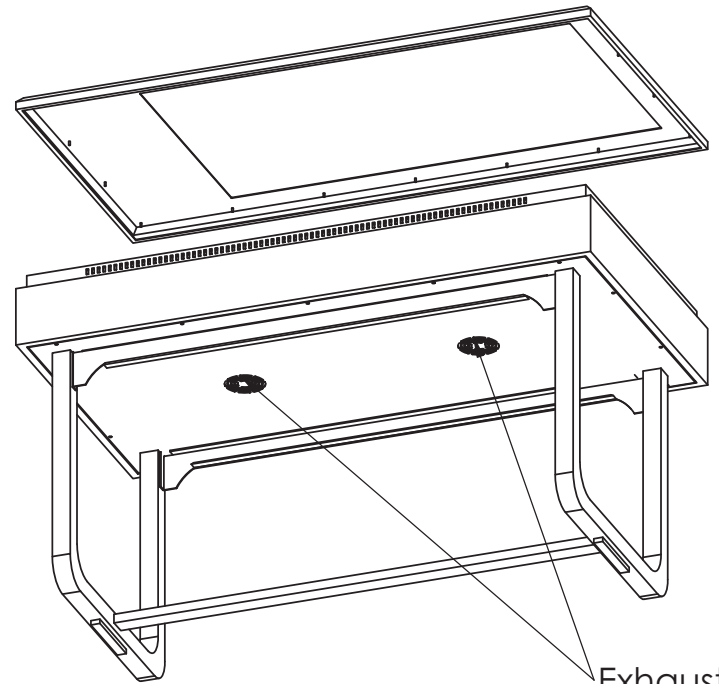


Intake



Exhaust